
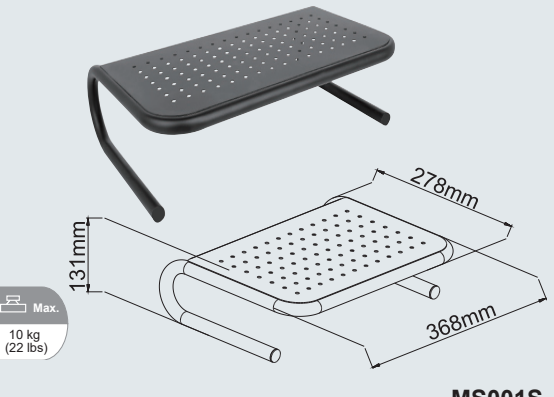

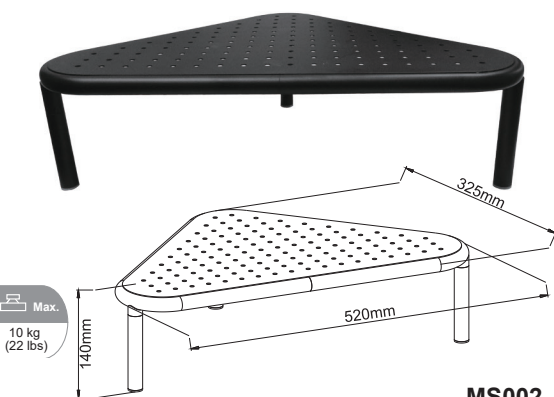

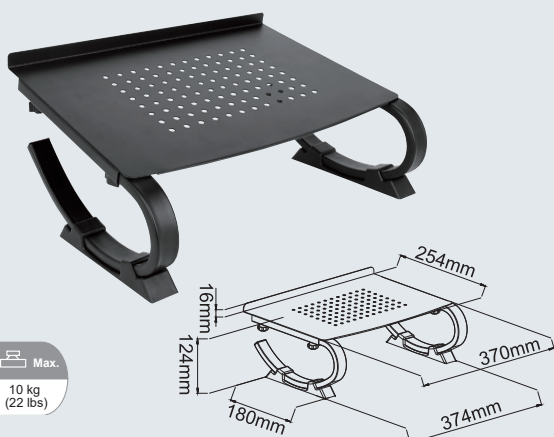

 <p>MS001L</p>	DESCRIPTION Large size height raising monitor stand		
	RETAIL GIFT BOX SIZE 51.5 x 33.0 x 14.5 cm	WEIGHT 2.3 kg	
	PACKING DETAILS Carton Dim.: 53.5 x 31.0 x 35.0 cm N.W./G.W.: 5.0/4.5 kg QTY/CTN: 2 pcs QTY/20FT: 960 pcs		

 <p>MS001S</p>	DESCRIPTION Small size height raising monitor stand		
	RETAIL GIFT BOX SIZE 40.0 x 31.0 x 11.0 cm	WEIGHT 1.6 kg	
	PACKING DETAILS Carton Dim.: 46.0 x 42.0 x 33.0 cm N.W./G.W.: 7.0/6.4 kg QTY/CTN: 4 pcs QTY/20FT: 1,760 pcs		

 <p>MS002</p>	DESCRIPTION Corner height raising monitor stand		
	RETAIL GIFT BOX SIZE 53.0 x 33.0 x 3.0 cm	WEIGHT 2.1 kg	
	PACKING DETAILS Carton Dim.: 55.0 x 35.0 x 17.5 cm N.W./G.W.: 11.5/10.7 kg QTY/CTN: 5 pcs QTY/20FT: 4,100 pcs		

 <p>LS001</p>	DESCRIPTION Tilt angle adjustable monitor/laptop stand		
	RETAIL GIFT BOX SIZE 38.0 x 26.5 x 5.5 cm	WEIGHT 2.1 kg	
	PACKING DETAILS Carton Dim.: 58.5 x 28.0 x 40.0 cm N.W./G.W.: 22.0/21.0 kg QTY/CTN: 10 pcs QTY/20FT: 4,250 pcs		